

## Scanclimber® by Tractel® products...

### Mast Climbing Work Platforms (MCWP)

- Rack and pinion driven work platforms are lifting machines as well as working platforms – all in one package.
- Materials and workers can be lifted to the desired working height safely and conveniently at the same time.
- The work platform of MCWP installation includes the main platform and any platform extension and additional utilities.
  - Fixed Platform extension: Brick Laying, Telescopic.
  - Dynamic Platform extension: Sliding Deck Extensions, ARE.
  - Squirring Platform extension: Snake Platforms.
  - Specially configured extension: Special projects.
  - Glide rail, lifting table LT500, weather covers.



15 (SC10000 Centum)

(with All Reach Extensions ARE)

16 (Twin mast configuration)

### Construction Hoists

Flexible and upgradable transport system for material and personnel vertical transportation.

### Transport Platforms

Transport Platforms or Triple Hoist is the first family of lightweight, multipurpose hoists that serves as a material hoist, a personnel hoist and a transport platform.



(Falcon H48)

(Wega 65H)

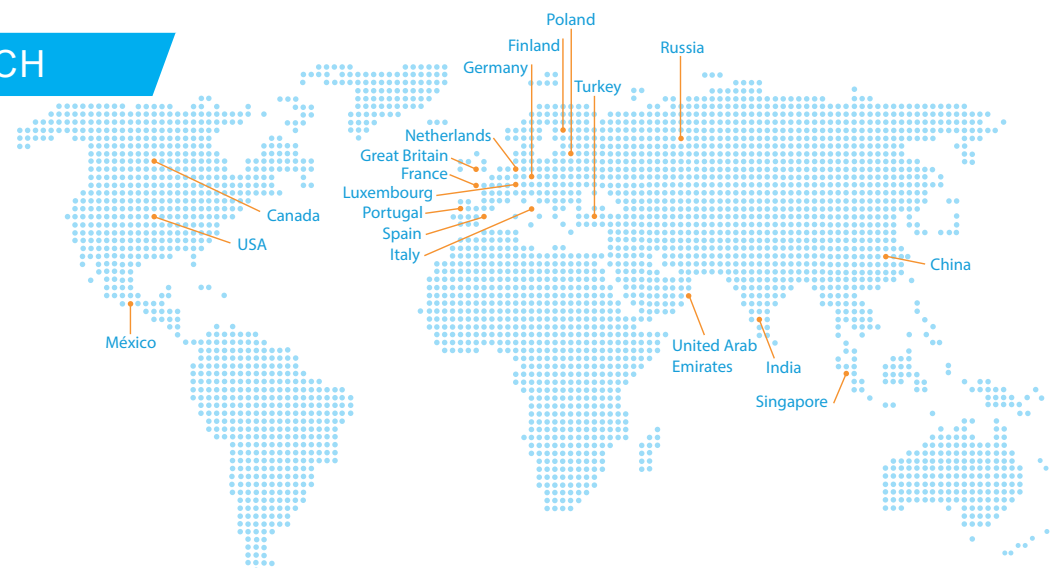
(Single Mast)

(Twin Mast)

17

18

## GLOBAL REACH



### NORTH AMERICA

**CANADA**  
**Tractel Ltd.**  
 1615 Warden Avenue  
 Toronto, Ontario M1R 2T3, Canada  
 Phone: +1 800 465 4738  
 Fax: +1 416 298 0168  
 Email: marketing.swingstage@tractel.com

11020 Mirabeau Street  
 Montréal, QC H1J 2S3, Canada  
 Phone: +1 800 561 3229  
 Fax: +1 514 493 3342  
 Email: tractel.canada@tractel.com

**MÉXICO**  
**Tractel México S.A. de C.V.**  
 Galileo #20, O cina 504.  
 Colonia Polanco  
 México, D.F. CP. 11560  
 Phone: +52 55 6721 8719  
 Fax: +52 55 6721 8718  
 Email: tractel.mexico@tractel.com

**USA**  
**Tractel Inc.**  
 51 Morgan Drive  
 Norwood, MA 02062, USA  
 Phone: +1 800 421 0246  
 Fax: +1 781 826 3642  
 Email: tractel.usa-east@tractel.com

168 Mason Way  
 Unit B2  
 City of Industry, CA 91746, USA  
 Phone: +1 800 675 6727  
 Fax: +1 626 937 6730  
 Email: tractel.usa-west@tractel.com

**BlueWater L.L.C**  
 4064 Peavey Road  
 Chaska, MN 55318, USA  
 Phone: +1 866 579 3965  
 Email: info@bluewater-mfg.com

**Fabenco, Inc**  
 2002 Karbach St.  
 Houston, Texas 77092, USA  
 Phone: +1 713 686 6620  
 Fax: +1 713 688 8031  
 Email: info@safetygate.com

### EUROPE

**GERMANY**  
**Tractel Greifzug GmbH**  
 Scheidtbachstrasse 19-21  
 51469 Bergisch Gladbach, Germany  
 Phone: +49 22 02 10 04-0  
 Fax: +49 22 02 10 04 70  
 Email: info.greifzug@tractel.com

**LUXEMBOURG**  
**Tractel Secalt S.A.**  
 Rue de l'Industrie 12  
 B.P 1113 - 3895 Foeltz, Luxembourg  
 Phone: +352 43 42 42-1  
 Fax: +352 43 42 42-200  
 Email: secalt@tractel.com

**SPAIN**  
**Tractel Ibérica S.A.**  
 Carretera del Medio, 265  
 08907 L'Hospitalet del Llobregat  
 Barcelona, Spain  
 Phone: +34 93 335 11 00  
 Fax: +34 93 336 39 16  
 Email: infoib@tractel.com

**FRANCE**  
**Tractel S.A.S.**  
 RD 619 Saint-Hilaire-sous-Romilly  
 BP 38 Romilly-sur-Seine  
 10102, France  
 Phone: +33 3 25 21 07 00  
 Fax: +33 3 25 21 07 11  
 Email: info.tsas@tractel.com

**IFMS S.A.S.**  
 32, rue du Bois Galon  
 94120 Fontenay sous Bois, France  
 Phone: +33 1 56 29 22 22  
 Fax: +33 1 56 29 22 22  
 E-mail: ifms.tractel@tractel.com

**Tractel Solutions S.A.S.**  
 77-79, rue Jules Guesde  
 69230 St Genis-Laval, France  
 Phone: +33 4 78 50 18 18  
 Fax: +33 4 72 66 25 41  
 Email: info.tractelsolutions@tractel.com

**GREAT BRITAIN**  
**Tractel UK Limited**  
 Old Lane Halfway  
 Sheffield S20 3GA, United Kingdom  
 Phone: +44 114 248 22 66  
 Email: sales.uk@tractel.com

**ITALY**  
**Tractel Italiana SpA**  
 Viale Europa 50  
 Cologno Monzese (Milano) 20093,  
 Italy  
 Phone: +39 02 254 47 86  
 Fax: +39 02 254 71 39  
 Email: infoit@tractel.com

**NETHERLANDS**  
**Tractel Benelux BV**  
 Paardeweide 38  
 Breda 4824 EH, Netherlands  
 Phone: +31 76 54 35 135  
 Fax: +31 76 54 35 136  
 Email: sales.benelux@tractel.com

**PORTUGAL**  
**Lusotractel Lda**  
 Bairro Alto Do Outeiro Armazém 1  
 Trajouce, 2785-653 S. Domingos  
 de Rana, Portugal  
 Phone: +351 214 459 800  
 Fax: +351 214 459 809  
 Email: comercial.lusotractel@tractel.com

**POLAND**  
**Tractel Polska Sp. z o.o.**  
 ul. Bylawska 82  
 Warszawa 04-993, Poland  
 Phone: +48 22 616 42 44  
 Fax: +48 22 616 42 47  
 Email: tractel.polska@tractel.com

**NORDICS**  
**Tractel Nordics**  
 (Scanclimber OY)  
 Turkkirata 26  
 FI - 33960  
 Pirkkala, Finland  
 Phone: +358 10 680 7000  
 Fax: +358 10 680 7033  
 E-mail: tractel@scanclimber.com

**RUSSIA**  
**Tractel Russia O.O.O.**  
 Olympiyskiy Prospect 38, Office 411  
 Mytishchi, Moscow Region  
 141006, Russia  
 Phone: +7 495 989 5135  
 Email: info.russia@tractel.com

### ASIA

**CHINA**  
**Shanghai Tractel Mechanical Equip. Tech. Co. Ltd.**  
 2nd oor, Block 1, 3500 Xiupu road,  
 Kangqiao, Pudong,  
 Shanghai, People's Republic of China  
 Phone: +86 21 6322 5570  
 Fax: +86 21 5353 0982

**SINGAPORE**  
**Tractel Singapore Pte Ltd**  
 50 Woodlands Industrial Park E7  
 Singapore 757824  
 Phone: +65 6757 3113  
 Fax: +65 6757 3003  
 Email: enquiry@tractelsingapore.com

**UAE**  
**Tractel Secalt SA Dubai Branch**  
 Office 1404, Prime Tower Business Bay  
 PB 25768 Dubai, United Arab  
 Emirates  
 Phone: +971 4 343 0703  
 Email: tractel.me@tractel.com

**INDIA**  
**Secalt India Pvt Ltd.**  
 412/A, 4th Floor, C-Wing, Kailash  
 Business Park, Veer Savarkar Road,  
 Parkside, Vikhroli West,  
 Mumbai 400079, India  
 Phone: +91 22 25175470/71/72  
 Email: info@secalt-india.com

**TURKEY**  
**Knot Yapı ve İş Güvenliği San.Tic. A.Ş.**  
 Cavizli Mh. Tugay Yolu CD.  
 Nuvo Dragos Sitesi  
 A/120 Kat.11 Maltepe  
 34846 Istanbul, Turkey  
 Phone: +90 216 377 13 13  
 Fax: +90 216 377 54 44  
 Email: info@knot.com.tr

**ANY OTHER COUNTRIES:**  
**Tractel S.A.S.**  
 RD 619 Saint-Hilaire-sous-Romilly  
 BP 38 Romilly-sur-Seine  
 10102, France  
 Phone: +33 3 25 21 07 00  
 Fax: +33 3 25 21 07 11  
 Email: info.tsas@tractel.com



www.tractel.com



## TEMPORARY ACCESS

Suspensions & ALTA platforms / MCWP / Safety devices

## The World Leader in Access Equipment

Tractel® is a world leading safety specialist providing reliable, innovative and cost-effective working-at-height solutions and services. These solutions are used in many end-user applications, in particular in industrial, construction, energy, telecoms and infrastructure projects.

## When you choose Tractel® you'll get:

- Enhanced safety and protection for your employees, whatever your application, industry or geographical location.
- A comprehensive range of products and solutions, combining performance, ergonomics, safety and comfort.
- Global and local sales, service and cost effective after-sales support.
- Excellence and integrity in engineering, manufacturing code, compliance.
- Assured quality and recognized standards.
- Experience and expertise.

Tractel® is a leading supplier of Temporary and Permanent Access Systems across the globe. Our experienced team of engineers and project managers are capable of working with you from concept to installation. With more than 10,000 references worldwide, it's clear that our solutions are built for even the most complex of jobs.

## Tractel® products are designed and manufactured to fit any building.

Industry leading solutions provide safe and secure access where and when you need it.

TRIED, TESTED, TRACTEL®

## Follow us



08/20 © 2020 Tractel® Secalt® non contractuel document



TRIED, TESTED, TRACTEL®

www.tractel.com



Two designs to match the type of work being undertaken.

**Alta «L»** (lightweight applications)  
 For 2 up to 6 users.  
 Length: from 2m, up to 15m.  
 Working load limit: 120kg/m.

**Alta «S»** (heavy applications)  
 For 2 up to 8 users.  
 Length: from 2m, up to 18m.  
 Working load limit: 140kg/m.

Three types of stirrups to meet your requirements.

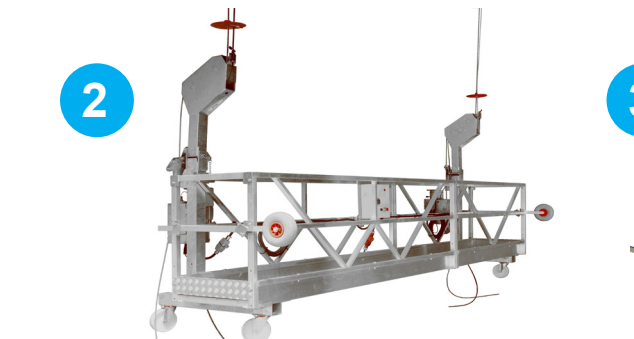
**End stirrups**  
 Economical and lightweight solution. Up to 12m for Alta «L» and up to 15m for Alta «S».



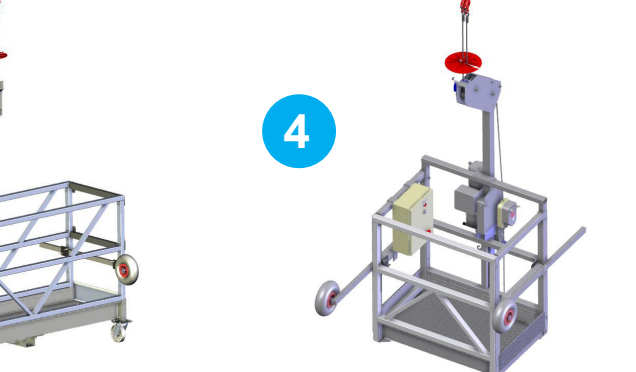
**Frame stirrups**  
 Ends are clear and accessible. Upper part is compatible with the end stirrups. Maximum length are 15m for Alta «L» and 18m for Alta «S».



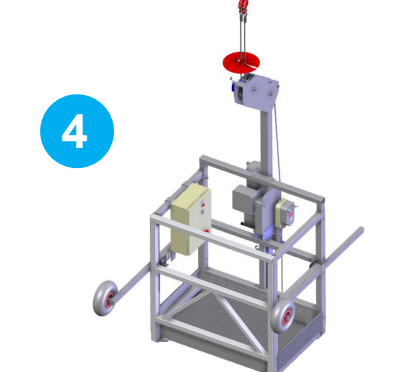
**Folding «C» stirrups**  
 Placed at the rear of the platform, behind the workers. Ends are clear and easily accessible. Maximum length are 15m for Alta «L» and 18m for Alta «S».



Alta MONO «L» or «S» platform L=2m maxi, equipped with a single folding «C» stirrup. Designed for 2 users max.



Alta SOLO platform. L=1m (for a single user), equipped with a single «C» aluminium stirrup.



Others configurations.

**5** Circular & angular platforms composed by fixed angle components (30°, 45°, 60 & 90°) or a variable angles component (20° to 90°).



**6** Alta platform can be easily transformed in a double or triple -deck platform using especially designed fixing rods.



Lifting & fall arrest devices for Alta platforms.



Tractel® solutions for your temporary access needs, from installation to the maintenance.

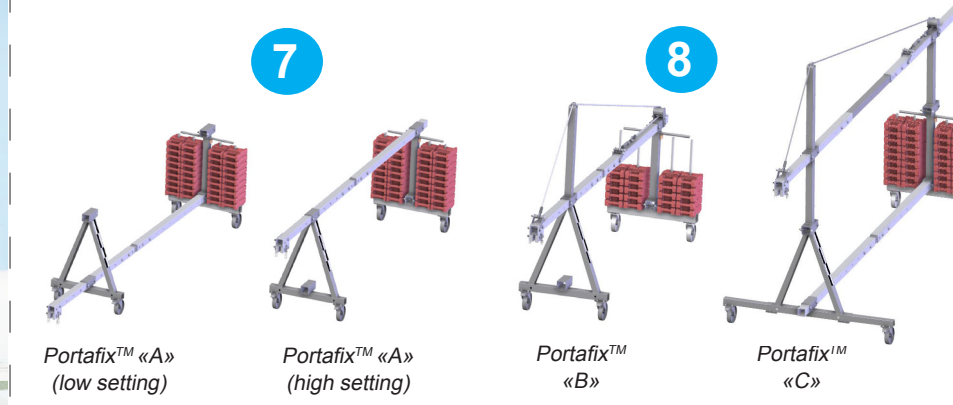


Non-contractual illustration.

Suspensions jibs

The Portafix™ range

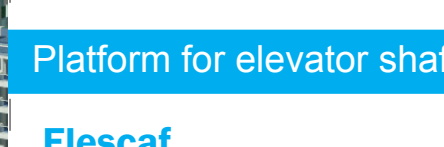
The mobile Portafix™ suspension jibs allow very fast access to a building facade on nearly every flat roofs. Commissioning and dismantling is fast and simple. Stability is ensured by counterweights and the mobility by means of castor wheels.



Work seats

Solsit

Supported by a Tirak™ motorised hoist the Solsit work seat are equipped with 2 buckets for cleaning liquid or tools, and 2 guiding wheels or rollers.



Subito

Equipped with a Scafor™ manual hoist the Subito is a light and compact work seat dedicated to inspection, maintenance or cleaning tasks on building facades up to 30m. Optional guiding wheels or rollers available.



Platform for elevator shaft

Elescaf

The Elescaf is a lightweight modular aluminium platform which is used during the installation process of elevators. The platform can be installed at any floor level and enables the technical staff to fix safely the hoist equipment (Minifor™ or Tirak™) required for the installation of the cabin and the guide rails.



Height safety products & guardrails

Mobifor & Blocfor™

Self-retracting fall arrester with recuperator Blocfor™ & Mobifor dead-body anchoring system for installation on flat roofs and areas at risk of falling.



Guard trac™

The Guard trac™ /Guard trac™ plus are a quick and easy way to secure your roof. The entire system can be installed without any tools.

